

Steps:

- 1) Attach U-bracket to horizontal [2]. See [U-Bracket Attachment](#) detail.
- 2) Connect verticals [3] to [4] and [3A] to [4A]. See [Straight Knob Connection](#) detail.
- 3) Attach horizontals [2] and [2A] to assemblies [3/4] and [3A/4A]. See [Corner Knob Connection](#) detail.
- 4) Attach horizontal [5] to center of assemblies [3/4] and [3A/4A].
- 5) Attach base plates [1] to horizontal [2] using bolts, washers, and wing nuts.
- 6) Connect lighting power cords and attach transformer. See [Light to Light Connection](#) & [Light to Transformer Connection](#) details. Place transformer in U-bracket then route power cord thru hole in horizontal [2].
- 7) Install SEG graphic to front and blocker fabric to back of assembled frame. See SEG Graphic Installation sheet for details.

Item	Qty.	Description
1	2	Base Plate
2/2A	1/1	42" CEI-152 Horizontal Extrusion
3/3A	1/1	41" CEI-152 Vertical Extrusion
4/4A	1/1	41" CEI-152 Vertical Extrusion
5	1	37.353" Z45 Horizontal Extrusion

**\* U-Bracket Attachment**

Slide V4 connectors into top groove of horizontal extrusion. Tighten set-screws to secure. Connect U-Bracket to connectors, using bolts.

**Note: V4 connectors stay attached when packing.**

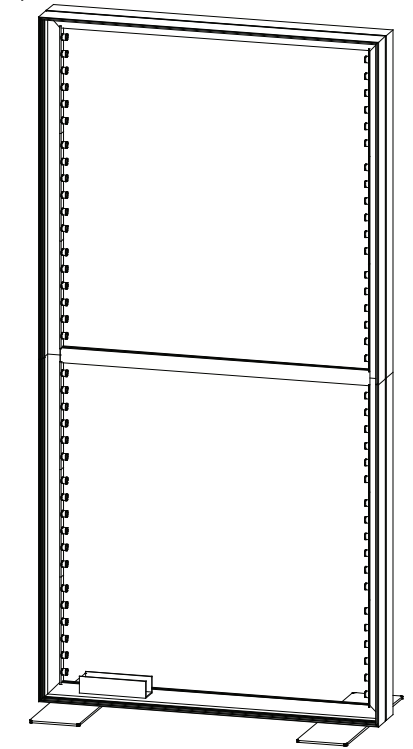
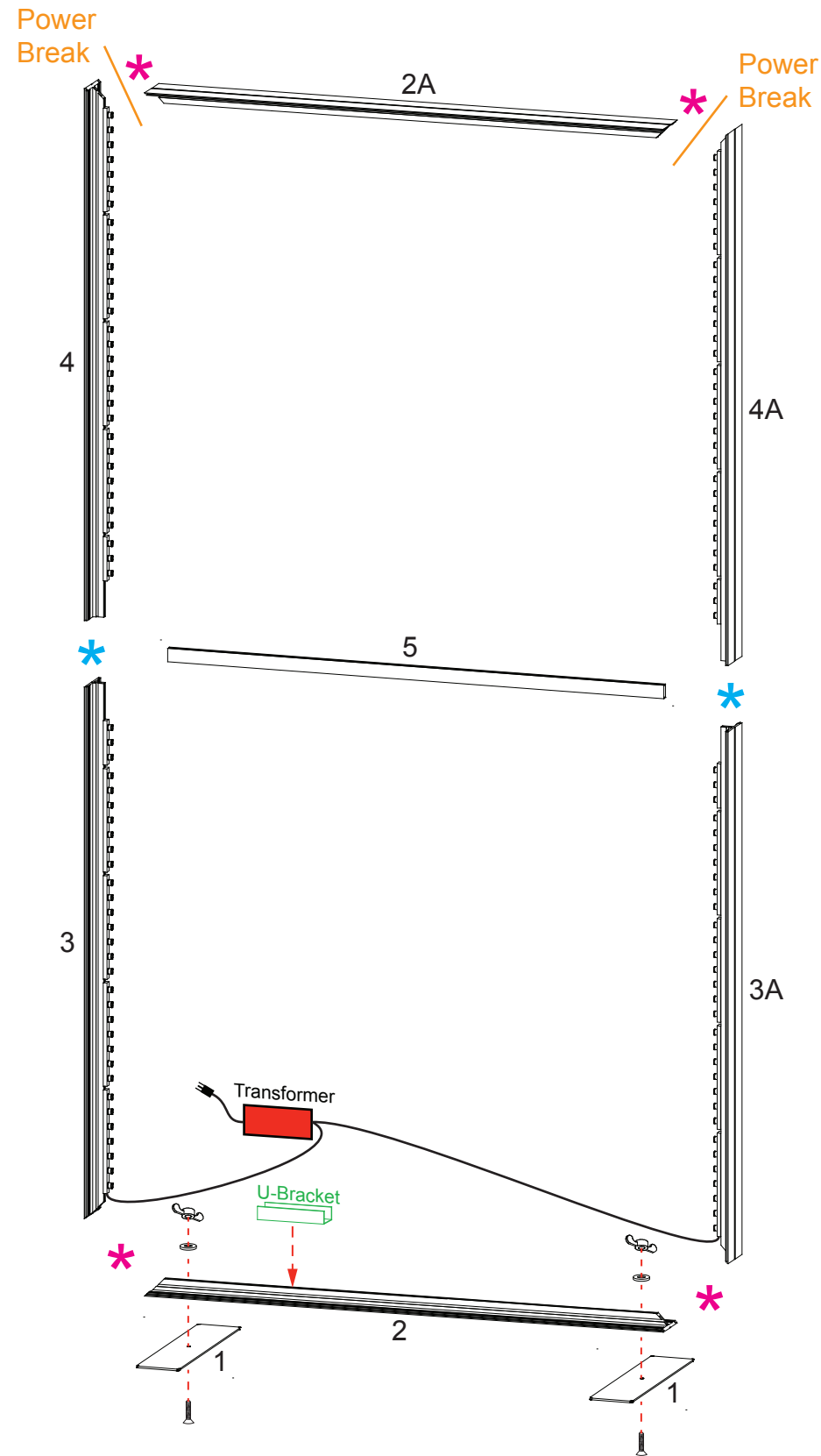
**\* Corner Knob Connection**

Slide corner connectors with knobs into connecting Extrusions. Tighten knobs to secure.

**Light to Light Connection**

**Light to Transformer Connection**

144W - 6A Transformer



Completed Assembly

**\* Straight Knob Connection**

Slide connectors with knobs into connecting Extrusions. Tighten knobs to secure.

## General Setup Instructions

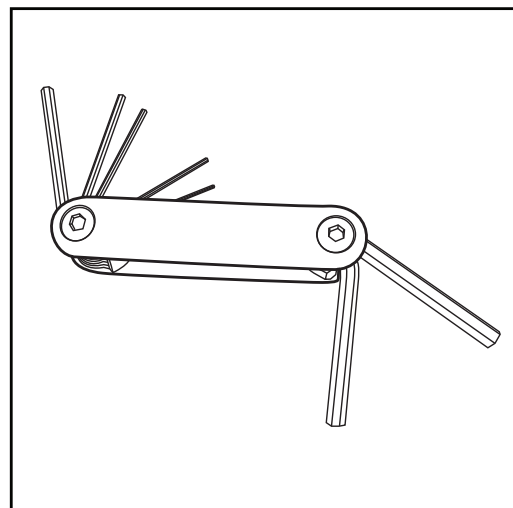
- Read entire setup instruction manual prior to unpacking parts and pieces.
- The setup instructions are created specifically for this configuration.
- Setup instructions are laid out sequentially in steps, including exploded views with detailed explanation for assembly.

## Cleaning & Packing

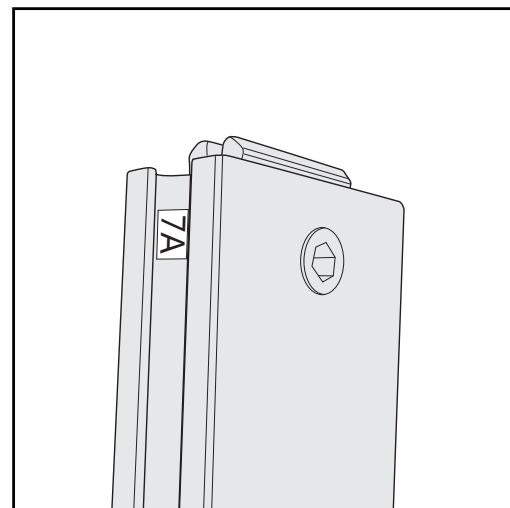
- For Cleaning Metal, Plex, & Laminate Parts: Use a **MILD NON-ABRASIVE** cleanser and soft cloth/paper towel to clean all surfaces.
- Keep exhibit components away from heat and prolonged sun exposure.  
**Heat and UV exposure will warp and fade components.**
- Retain all provided Packing Materials. All provided packing materials are for ease of repacking & component protection.

## Disassembly

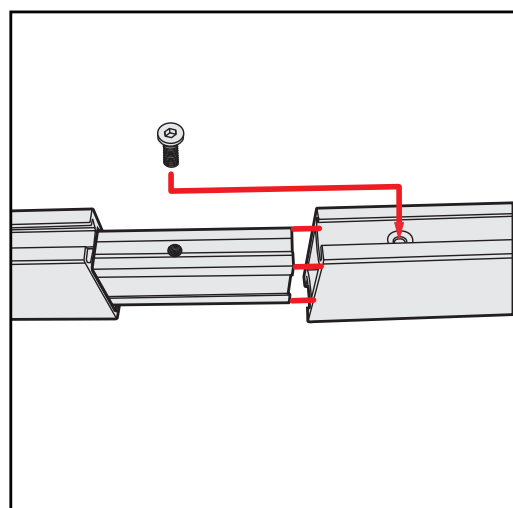
- For loss prevention, tighten all setscrews and locks during disassembly



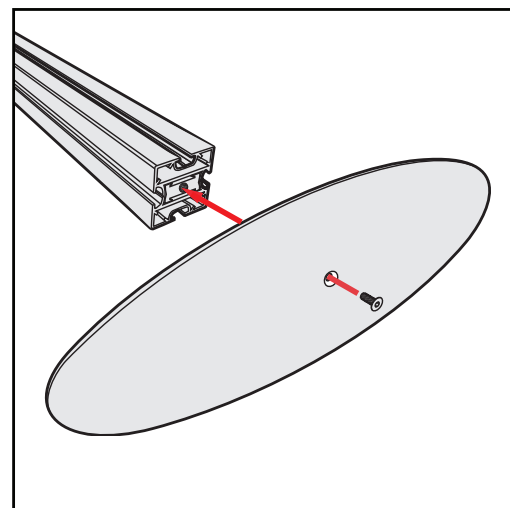
Hex Tool - Essential for Assembly



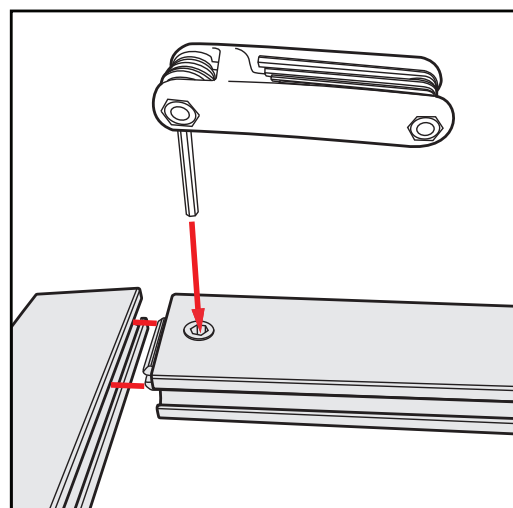
Part Identification - Numbering



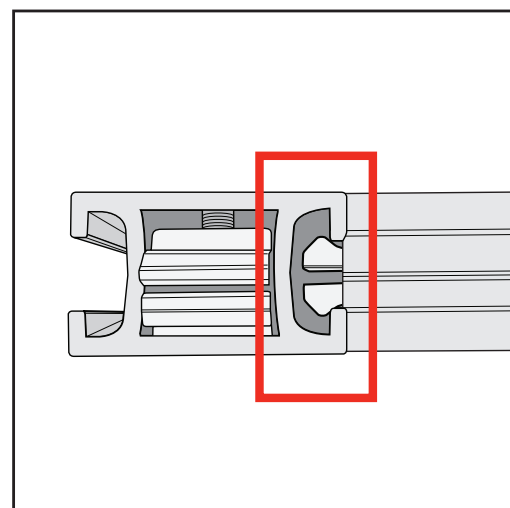
Spline Connection



Base Plate & Extrusion Connection



Extrusion & Lock Connection



Engaged Lock



**WARNING**



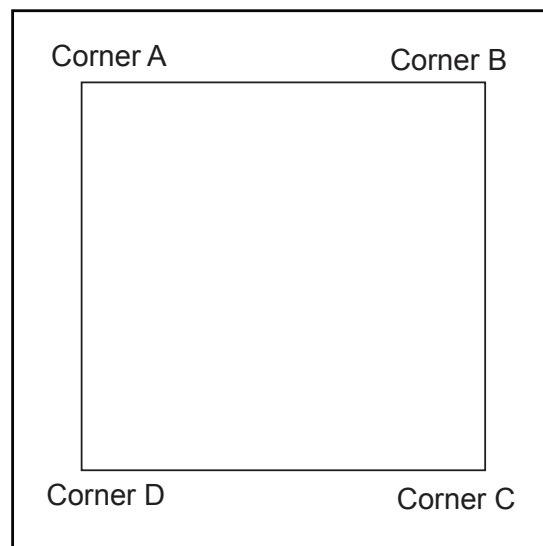
DO NOT USE POWER TOOLS



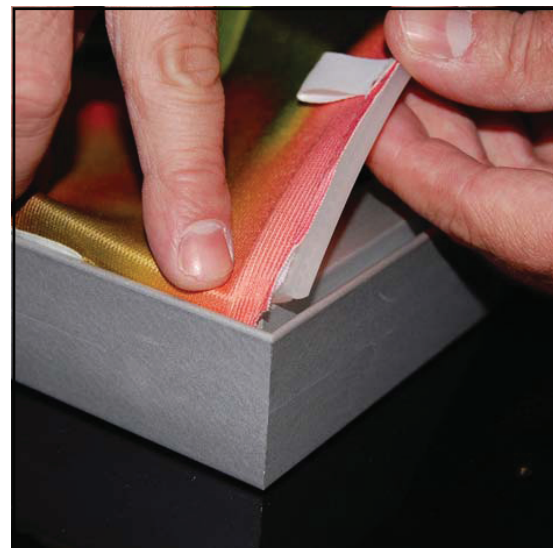
LADDERS OR LIFTS  
MAY BE REQUIRED



ALL CONNECTIONS MUST  
BE TIGHTLY SECURED



It is important to first insert graphic into each alternate corner then to the sides of the frame. If this is not done, graphic will not fit into the frame correctly.

**Step 1**

Insert corner A. Turn edge of graphic so silicon welt is perpendicular to face of graphic. Insert narrow side of welt with fabric to outside into the channel. Repeat for other side of this corner.

**Step 2**

Repeat Step 1 for opposite corner C, then insert corner B, followed by corner D, to complete the installation of the corners.

**Step 3**

Once all corners are inserted, press one silicon edge into channel from corners and work toward the center. Make sure welt is fully inserted into channel. Continue until all sides are done. Smooth out edges of graphic.

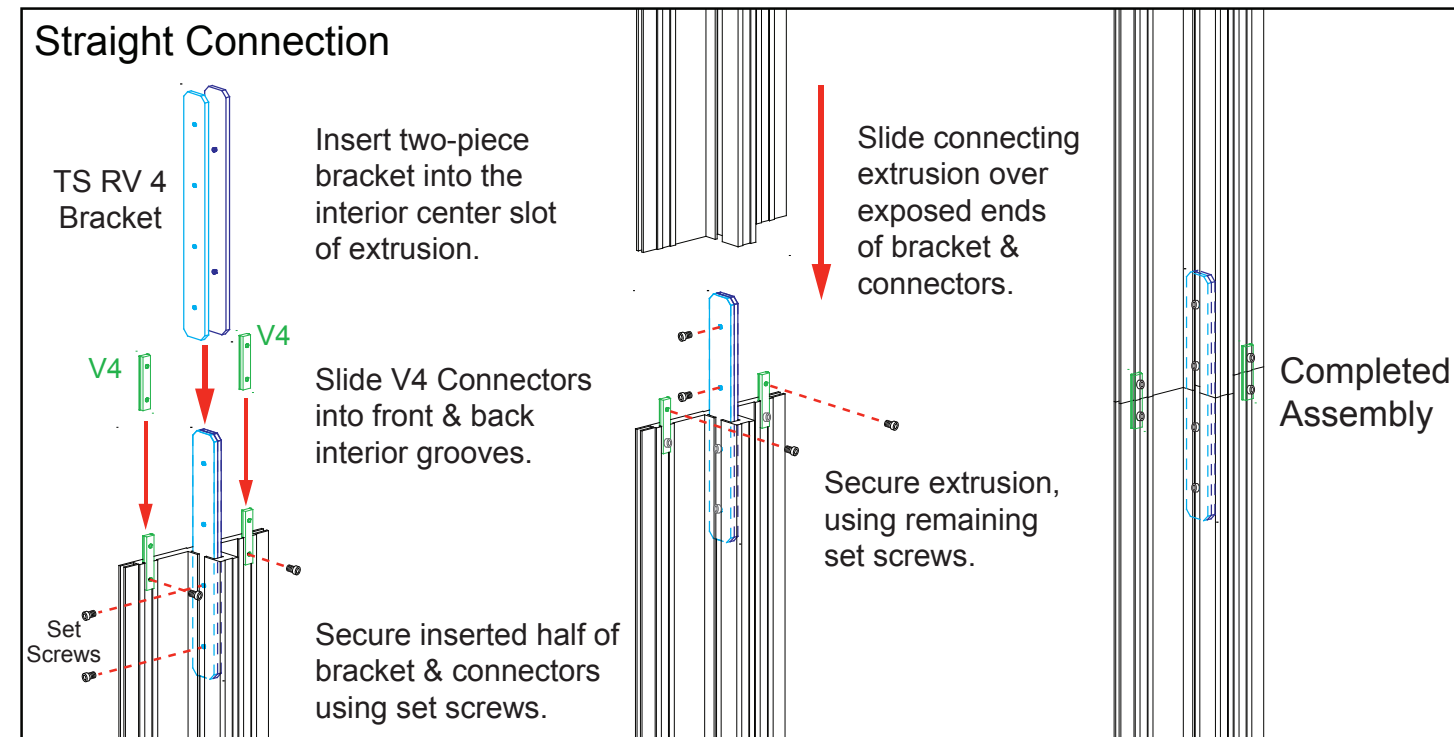
**Graphic Removal**

To remove the graphic from the frame, locate the fabric pull tab. Gently pull up on the tab to remove the fabric.



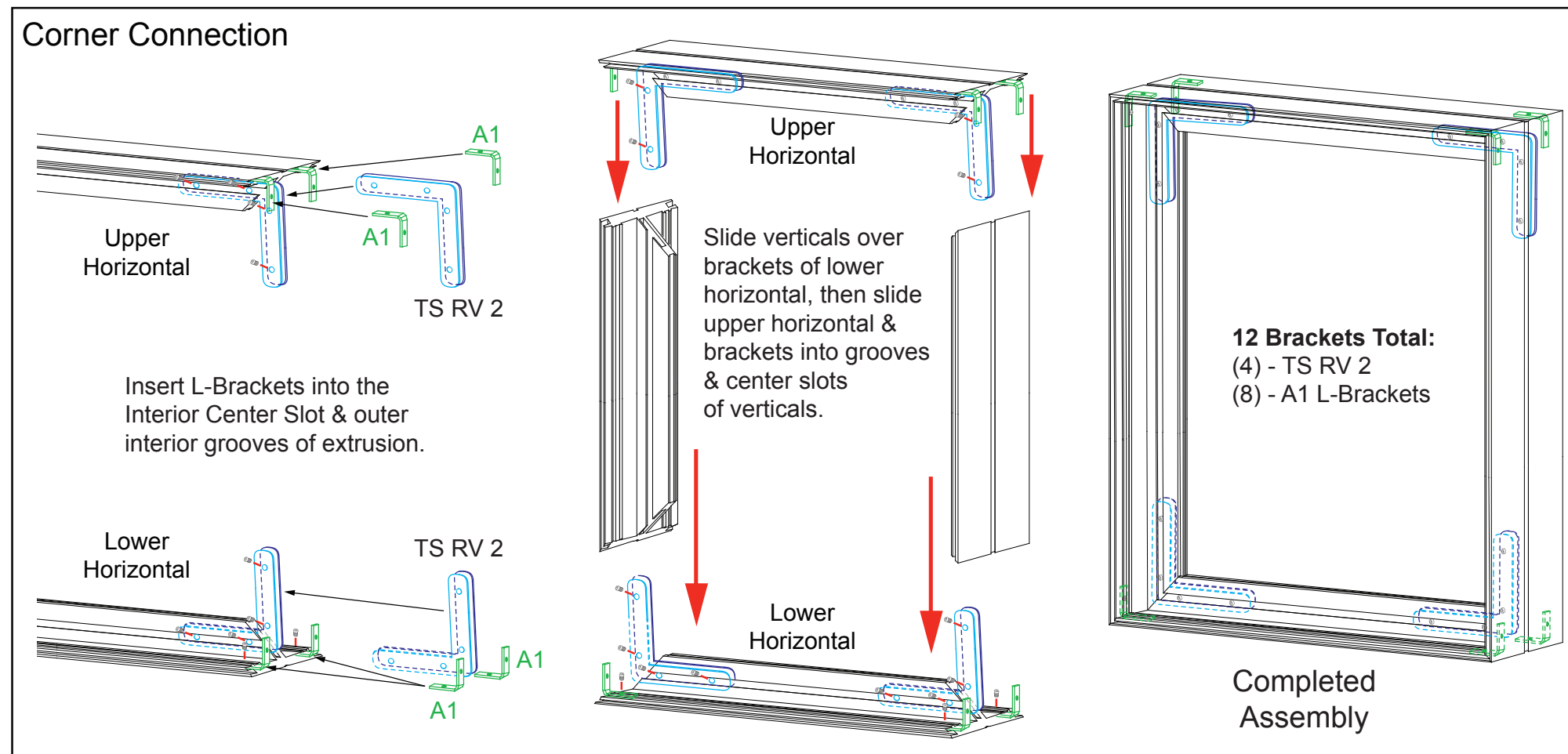
## Straight Bracket Installation (when required)

- 1) Slide TWO-PIECE **TS RV 4** straight bracket into Interior Center Slot of extrusion, so that two of the set screws are inside groove. Tighten two set screws to secure.
- 2) Slide two **V4 Connectors** into outer interior grooves of extrusion, so that one set screw is inside groove. Tighten set screw.
- 3) Slide connecting extrusion over exposed ends of bracket & connectors. Tighten all remaining set screws to secure extrusions.



## Corner Bracket Installation

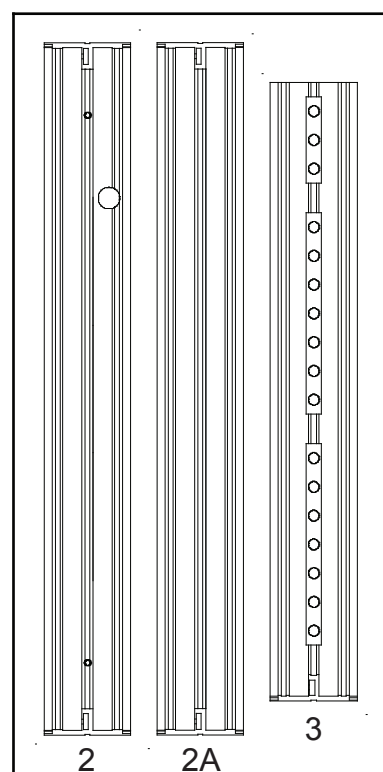
- 1) Slide TWO-PIECE **TS RV 2** L-bracket into Interior Center Slot of extrusion so that two set screws are inside groove. Tighten two set screws to secure.
- 2) Slide two **A1** L-Brackets into outer interior grooves of upper and lower horizontals. Tighten set screws to secure.
- 3) Slide vertical extrusion over exposed ends of brackets in lower horizontal. Tighten set screws to secure.
- 4) Slide exposed ends of installed brackets of upper horizontal into open ends of verticals. Tighten set screws to secure.



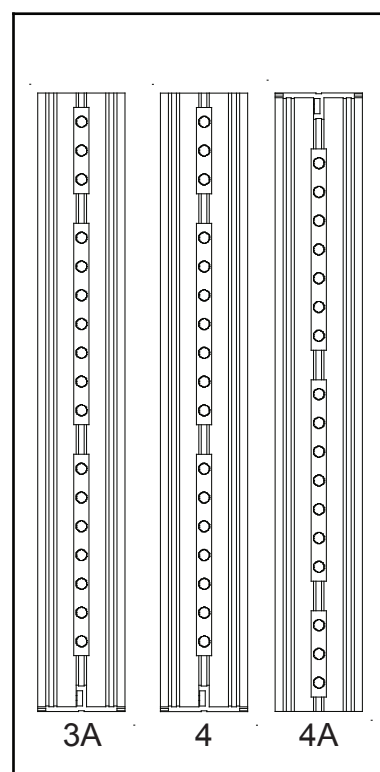
## Disassembly

- 1) Loosen set screws on brackets and slide extrusions off of brackets.

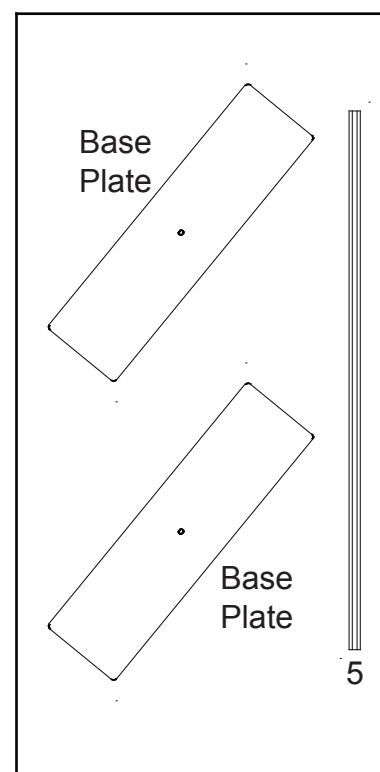
### Top View of Each Level



Level 1



Level 2



Level 3

